

# Vitronics Soltec

Electronic Assembly Equipment

TW EAE

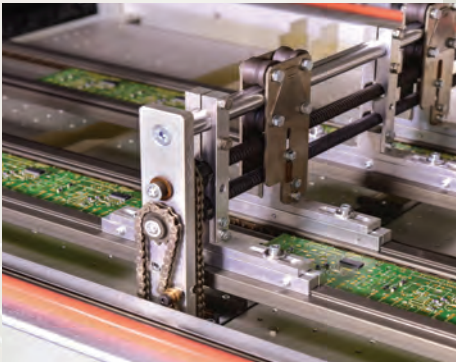
## CENTURION Reflow Soldering Solution

Proven Performance from a  
Century of Soldering Experience



Best-in-class thermal  
performance and improved  
sustainability, meeting the most  
critical and demanding reflow  
requirements in the industry.

Industry's best  
heat transfer



**CATHOX**  
CATALYTIC THERMAL OXIDIZER

# Vitronics Soltec

## CENTURION Reflow Soldering Solutions

The Centurion™ is a forced-convection SMT reflow system with tight, closed-loop process control, built for today's high-throughput PCB assembly environments. With the best heat transfer in the industry, the Centurion is able to run any profile at the lowest set point possible, which minimizes the thermal differences over the product and uses less energy.



# Cost effective

### Cost of Ownership

With an efficient heat transfer design, Centurion has a low energy consumption rate. Its reliable and robust design, backed by over 20 years of SMT experience and capability, ensures high uptime even with the toughest reflow requirements. Our patented CATHOX™ (Catalytic Thermal Oxidizer) further reduces cost of ownership by reducing the maintenance needs through cutting-edge flux treatment technology. The new 'idle mode' option will further reduce cost of operation.

### Industry-leading Thermal Performance

With Centurion's new design backed by our experiences with its prior generations, we achieved better thermal transfer even with a wider process chamber. Our knowledge and experience in process control ensures the repeatability across the oven required by the most demanding customers and the most challenging process requirements in the world.

### DUAL LANES WITH INDEPENDENT LANE SPEED CONTROL

Dual lanes with independent conveyor speed control doubles throughput and allows two different boards to run in parallel, a good value for high-mix low-volume manufacturers.



### Conveyor Features

- ▶ Dual lane configurations up to 2 x 300 mm
- ▶ Optional combo belt/rail conveyors
- ▶ Single or dual board support systems

# Reflow Soldering Solutions

## Advanced Features and Options

### NEW AIR FLOW SYSTEM

The new air flow system is designed to extract flux contaminated air out of the chamber of an air environment reflow oven. The system isolates the heating and cooling section of the tunnel with an additional venturi. It reduces refresh time and maintenance time, providing a much cleaner environment.



### TRUE N2/AIR SWITCH

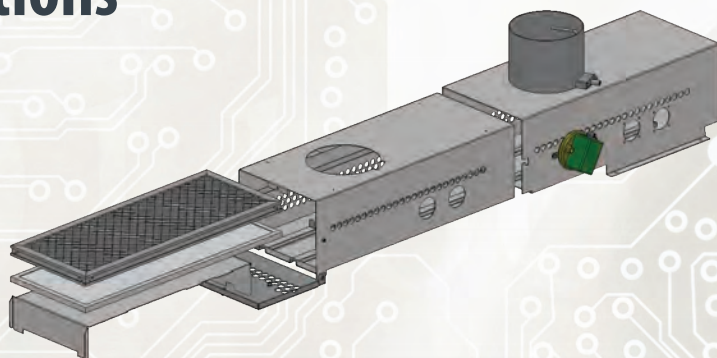
The True N2/Air switch on a nitrogen machine allows the user to easily switch between air flow system and nitrogen flow system for different productions. In Nitrogen production, nitrogen is recirculated to save the operating cost, and in Air production, the new air flow system proactively extracts air out of the chamber to the exhaust box.

This option provides the customer with the combination of a true N2 machine and a true Air machine.



### FAST COOL DOWN

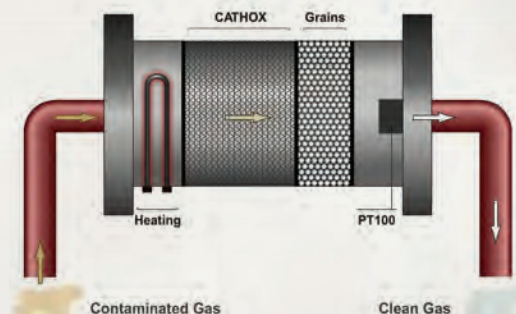
Fast changeover time is a key factor for high-mix low volume manufacturers. Fast Cool Down (FCD) is a key option when there are multiple recipe changes in a day, especially when changing profiles from high to low temperature. Through computer program, FCD automatically controls individual zones to reach its specific temperature setpoint.



### EASILY REMOVEABLE EXHAUST BOX WITH TEMPERATURE AND PRESSURE MONITORING

The easily removeable exhaust box is part of a flux management solution designed for air or nitrogen environments. This option serves as an alternative flux management solution to Cathox. Filters are easily removed keeping maintenance time to less than two minutes.

### CATHOX CATALYTIC THERMAL OXIDIZER



### MAINTENANCE AND ACCESSIBILITY

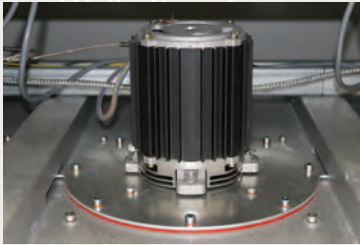
The patented CATHOX™ (Catalytic Thermal Oxidizer) dramatically reduces maintenance requirements while keeping a clean process environment. It is very effective in removing volatile compounds from the process tunnel during reflow. In thermal oxidation, organic vapors are converted to hydrocarbons, which are captured by a filter. Centurion's design also ensures that when maintenance is required, you have easy access and can do the maintenance job with few tools required.

Reduced  
maintenance

# Vitronics Soltec

## Key standard features

- ▶ Quick exchange heaters and motor fan combination
- ▶ Auto chain lubrication system
- ▶ Board tracking system
- ▶ Power management
- ▶ CE compliance



## Motors and Heaters

- ▶ Lifetime warranty
- ▶ Highly reliable

## Key optional features

- ▶ CATHOX patented flux management for standard paste users and heavy duty paste users
- ▶ Enhanced zone definition for large zone separation
- ▶ Advanced controlled cooling
- ▶ Dual lane with independent lane speed control
- ▶ True N2/Air Switch
- ▶ Easily Removeable Exhaust Box with Temperature and Pressure Monitoring
- ▶ Fast Cool Down (FCD) option
- ▶ MCA (Machine Capability Analyses) test
- ▶ System performance verification system
- ▶ Traceability and connectivity options

## Centurion Specifications

Model	# heat zones	# cooling zones	Heated length (cm / in)	Cooled length (cm / in)	Total length (cm / in)
820A*	8	2	284.0 / 111.8	71.0 / 28.0	415.0 / 163.4
930A*	9	3	319.5 / 125.8	106.5 / 41.9	486.0 / 191.3
1040A*	10	4	355.0 / 139.8	142.0 / 55.9	557.0 / 219.3
1240A*	12	4	426.0 / 167.7	142.0 / 55.9	628.0 / 247.2

\* = Total Length Nitrogen system + 71.0 cm/27.9 in

ITW EAE is a division of Illinois Tool Works, Inc. It is a consolidation of all of its Electronic Assembly Equipment and Thermal Processing Technology. The group includes world-class products from MPM, Camalot, Electrovert, Vitronics Soltec and Despatch.

© 2019 ITW all rights reserved. Centurion 08-19

[www.itweae.com](http://www.itweae.com)

## Vitronics Soltec

Soldering Solutions

ITW EAE